

Industrial confidentiality

PRODUCT SPECIFICATION

Product code: Fiber Bragg Grating Holder



Standard Specifications

Fiber type: single mode, coating diameter 250 μm (PM available)
Wavelength tunability: +/-100 pm (mechanical tuning with screw, C-Band only)
Operating temperature: -5 to 70 $^{\circ}\text{C}$
Storage temperature: -40 to 80 $^{\circ}\text{C}$
Fiber length: 1m each side of package
Fiber protection: buffer 900 μm (boots 20 mm)
Option: optical connectors
Central wavelength accuracy: +/- 0.01 nm (C-band only)

Proprietary data

PSD-L-Q-E-086-I

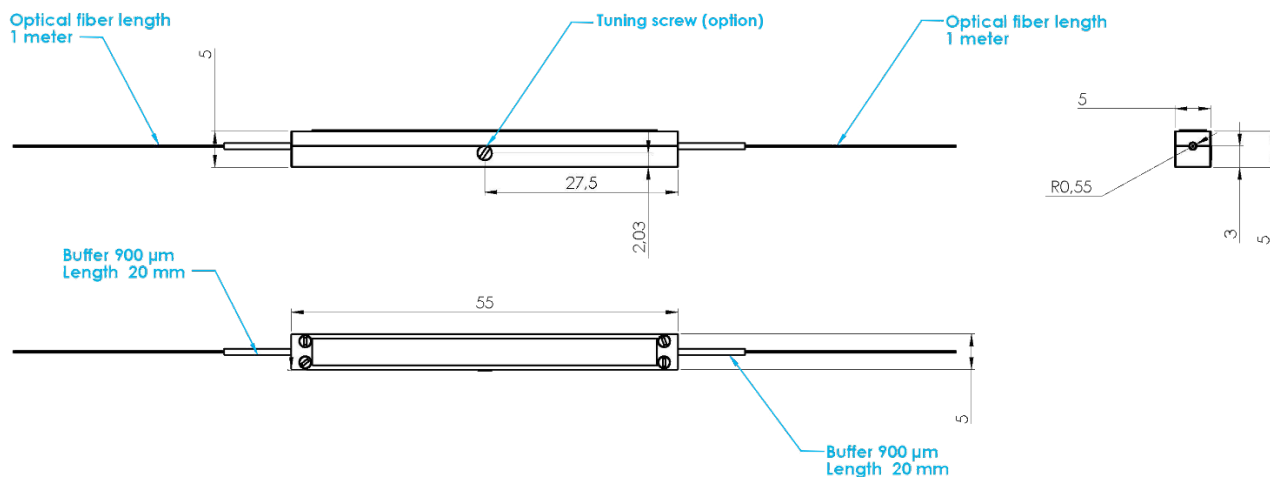


Mechanical Specifications

Package dimensions: 55 x 5 x 5 mm

Option: fine tuning screw to adjust the central wavelength within 10 pm, in C-band range

Aspect: blue anodized aluminum surface



Effective date of this document: 05/10/2020

Edition: D

Specifications are subject to change without notice