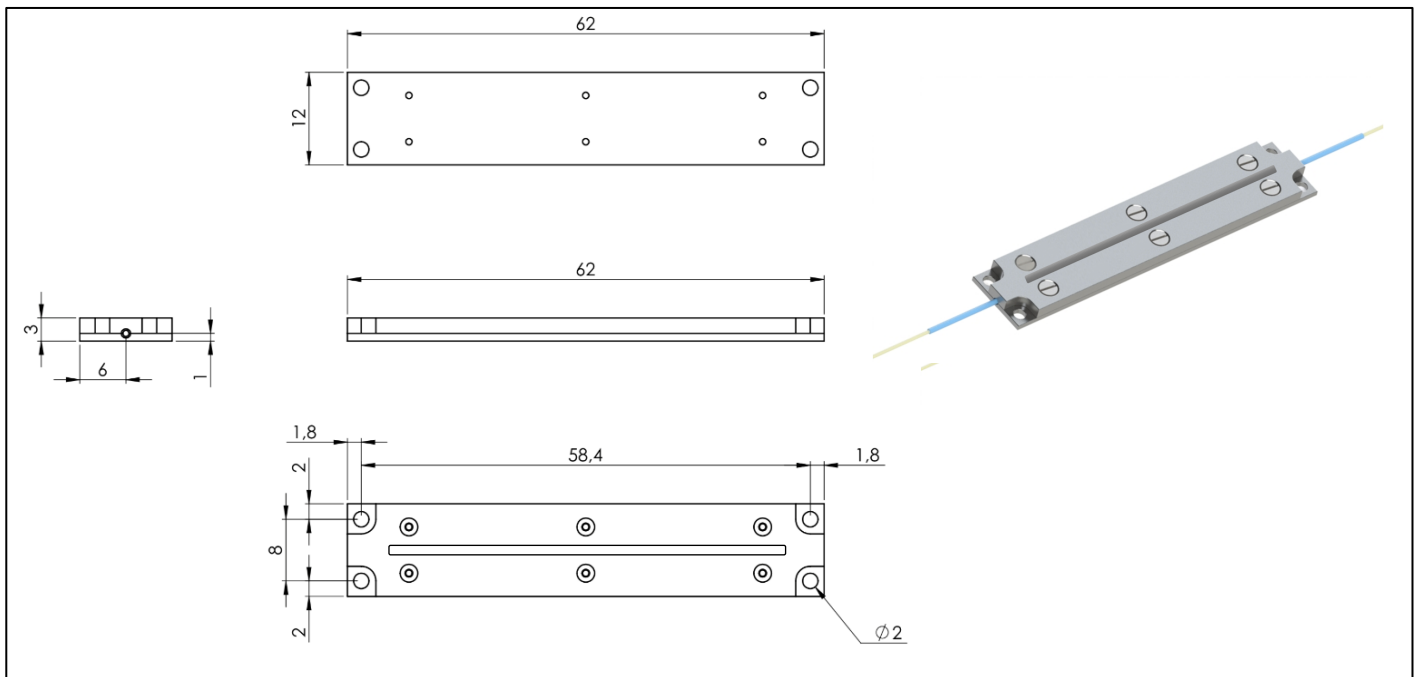


Proprietary data

PRODUCT SPECIFICATION

Product code: IXC-DIS-PKG V2

Heat dissipative package size



Effective date of this document: 29/09/2020
Document reference: dissipative-PKGV2_edA

Specifications are subject to change without notice

PSD-L-Q-E-086-I

