

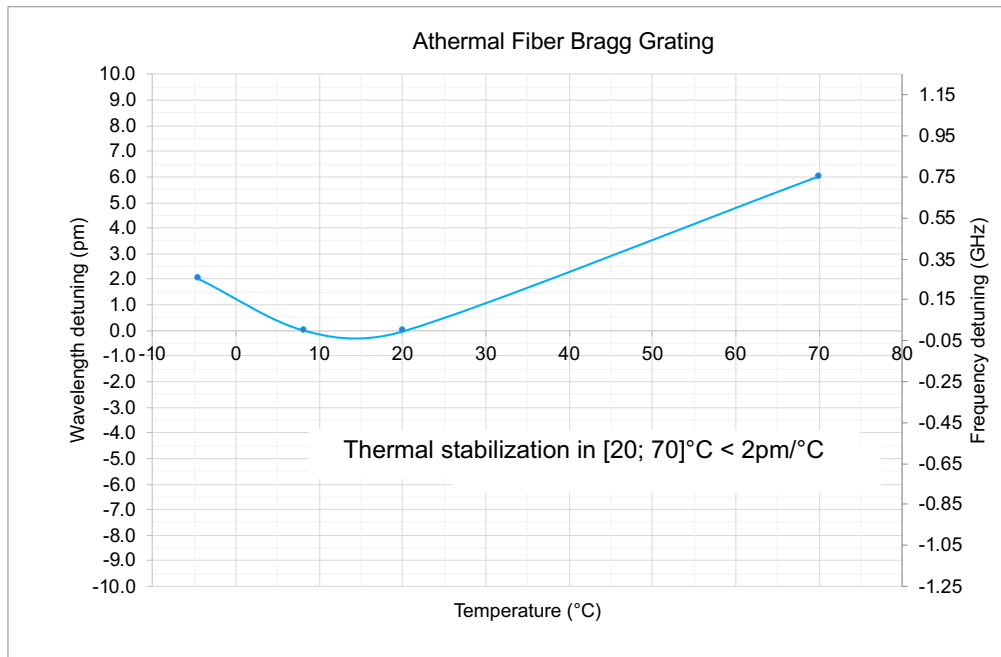
PRODUCT SPECIFICATION

Product code: Athermal Fiber Bragg Grating



Standard Specifications

- Fiber type: single mode, coating diameter 250 μm (PM available)
- Thermal stabilization: $< 2\text{pm}/^\circ\text{C}$ in $[20; 70]^\circ\text{C}$
- Wavelength shift: $< 150\text{pm}$ in $[-5; 70]^\circ\text{C}$
- Maximum wavelength tunability: $\pm 100\text{pm}$ (mechanical tuning with screw)
- Operating temperature: -5 to 70°C
- Storage temperature: -40 to 80°C
- Fiber length: 1m each side of package
- Fiber protection: buffer 900 μm (boots 20 mm standard, other length upon request)
- Option: optical connectors
- Central wavelength accuracy: ± 0.01 nm (C-band only)
- Complies with Telcordia GR-1209



PSD-L-Q-E-086-I

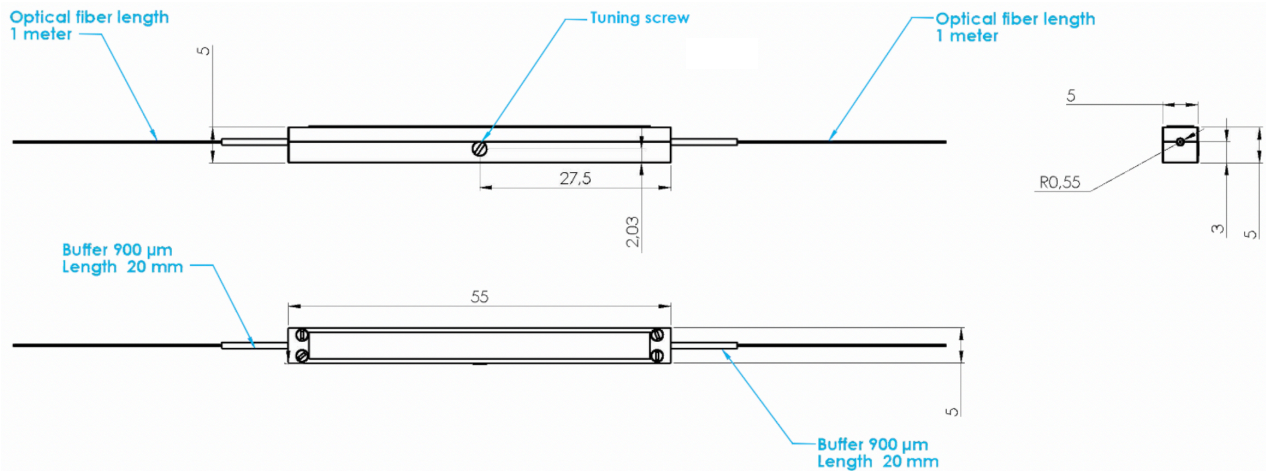


Mechanical Specifications

Package dimensions: 55 x 5 x 5 mm

Option: fine tuning screw to adjust the central wavelength within 10 pm, in C-band range

Aspect: blue anodized aluminum surface



Effective date of this document: 12/03/2020

Edition: C

Specifications are subject to change without notice

PSD-L-Q-E-086-1

