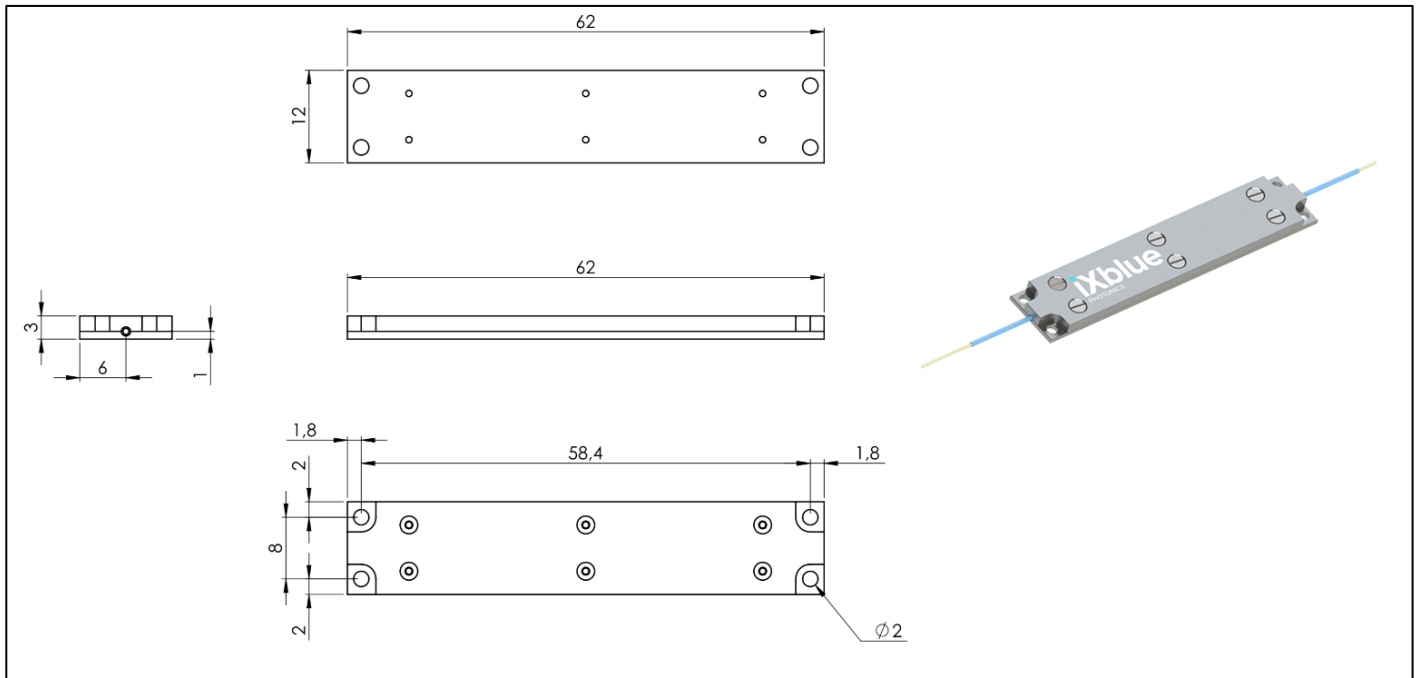


Proprietary data

PRODUCT SPECIFICATION

Product code: IXC-DIS-PKG

Heat dissipative package size



Effective date of this document: 27/07/2018

Edition: B

Document reference: dissipative-PKG_edB

Specifications are subject to change without notice

PSD-L-Q-E-086-I

