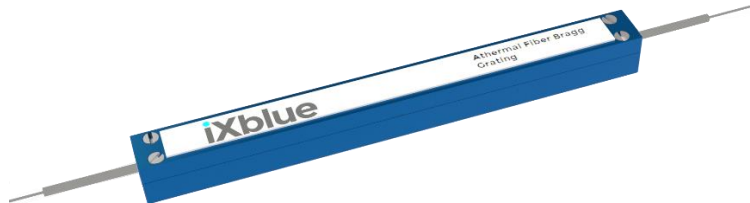


Proprietary data

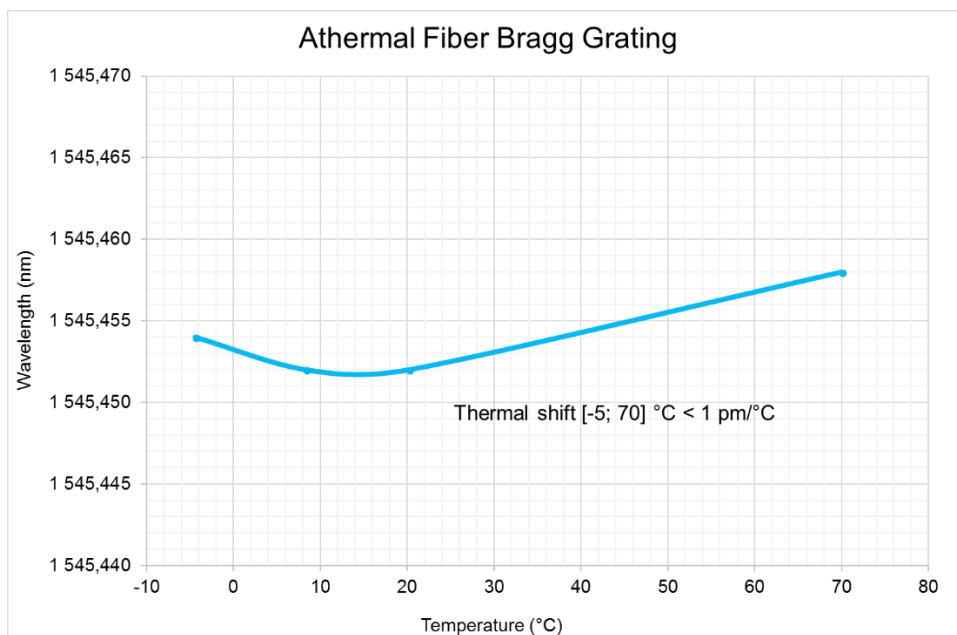
## PRODUCT SPECIFICATION

Product code: Athermal Fiber Bragg Grating



### Standard Specifications

Fiber type: single mode, coating diameter 250  $\mu\text{m}$  (PM available)  
Thermal sensitivity: < 2 pm/ $^{\circ}\text{C}$  (high grade: < 1 pm/ $^{\circ}\text{C}$ )  
Operating temperature: -5 to 70  $^{\circ}\text{C}$   
Storage temperature: -40 to 80  $^{\circ}\text{C}$   
Fiber length: 1m each side of package  
Fiber protection: buffer 900  $\mu\text{m}$  (boots 20 mm)  
Option: optical connectors  
Central wavelength accuracy: +/- 0.01 nm  
Complies with Telcordia GR-1209



PSD-L-Q-E-086-I



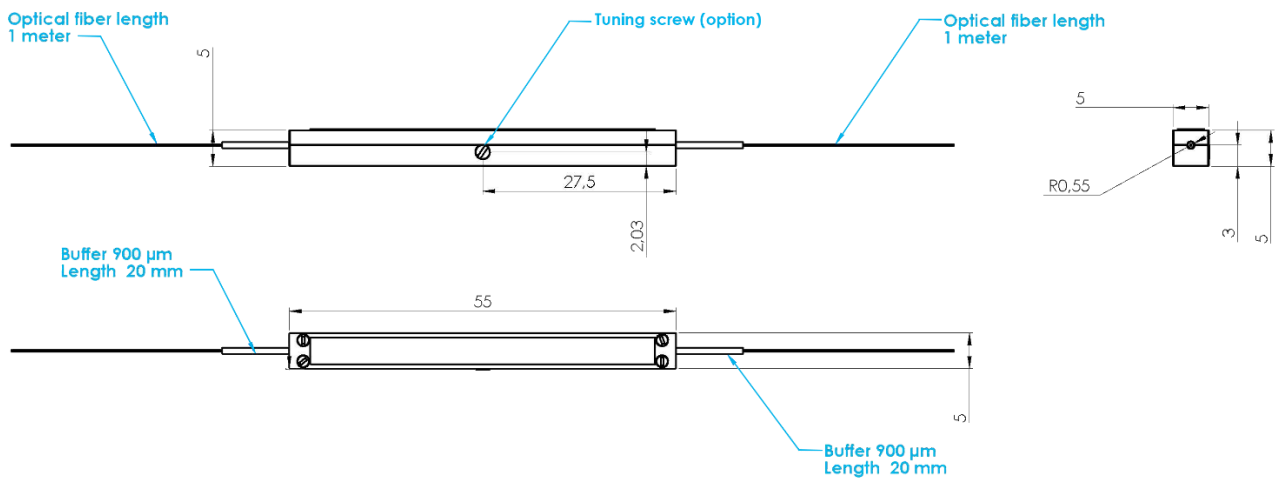
Proprietary data

## Mechanical Specifications

Package dimensions: 55 x 5 x 5 mm

Option: fine tuning screw to adjust the central wavelength within 10 pm

Aspect: blue anodized aluminum surface



Effective date of this document: 09/07/2018

Edition: A

Document reference: athermal\_PKG\_edA.pdf

*Specifications are subject to change without notice*

PSD-L-Q-E-086-I

