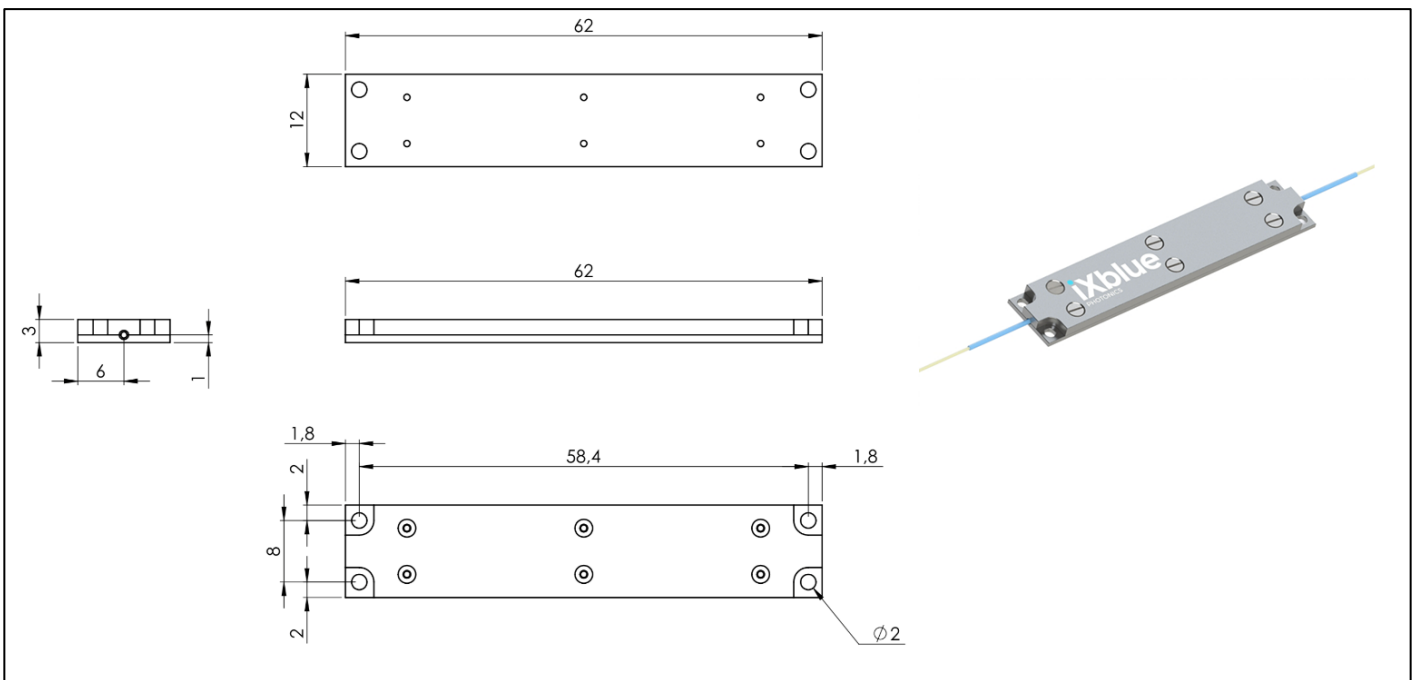


## PRODUCT SPECIFICATION

Product code: IXC-DIS-PKG

Heat dissipative package size



Written by: M.LE BOURSICAUD

Effective date of this document: 27/07/2018

Edition: B

Document reference: dissipative-PKG\_edB

*Specifications are subject to change without notice*