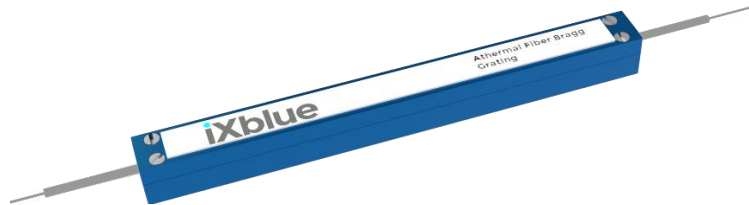


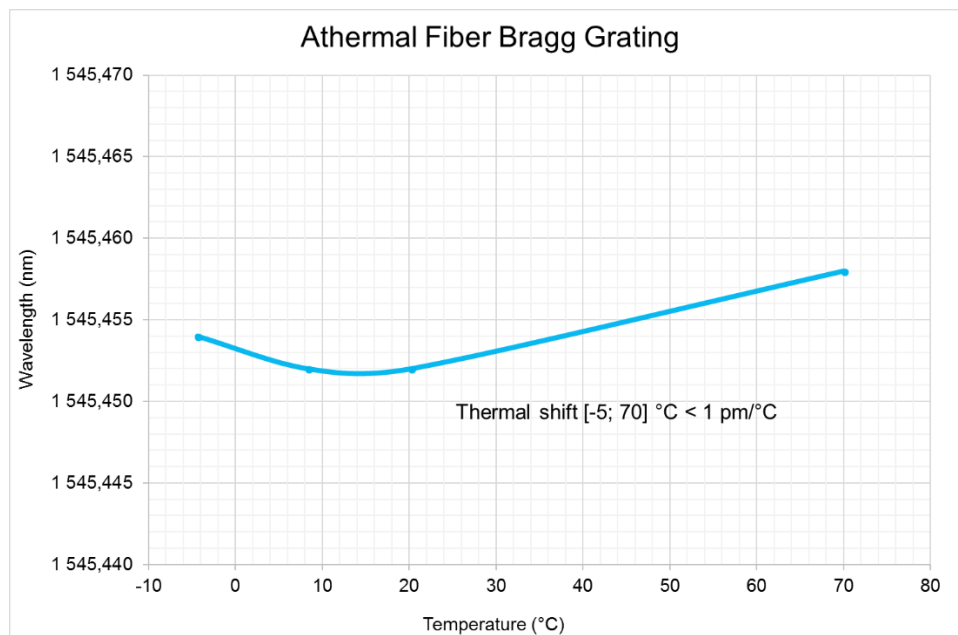
PRODUCT SPECIFICATION

Product code: Athermal Fiber Bragg Grating



Standard Specifications

Fiber type: single mode, coating diameter 250 μm (PM available)
Thermal sensitivity: < 2 pm/ $^{\circ}\text{C}$ (high grade: < 1 pm/ $^{\circ}\text{C}$)
Operating temperature: -5 to 70 $^{\circ}\text{C}$
Storage temperature: -40 to 80 $^{\circ}\text{C}$
Fiber length: 1m each side of package
Fiber protection: buffer 900 μm (boots 20 mm)
Option: optical connectors
Central wavelength accuracy: +/- 0.01 nm
Complies with Telcordia GR-1209

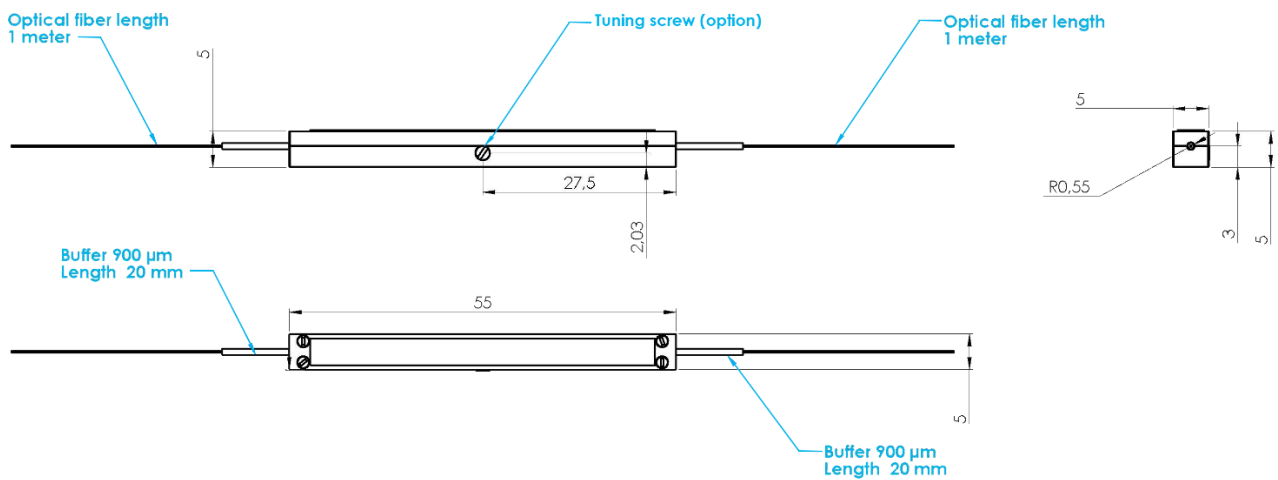


Mechanical Specifications

Package dimensions: 55 x 5 x 5 mm

Option: fine tuning screw to adjust the central wavelength within 10 pm

Aspect: blue anodized aluminum surface



Written by: Marie Le Boursicaud

Effective date of this document: 09/07/2018

Edition: A

Document reference: athermal_PKG_edA.pdf

Specifications are subject to change without notice